



# Zodiac flopro

built to last



The **Zodiac FloPro Series** pool pump is a quiet, energy efficient, high performance pool pump. Designed specifically for Australian conditions the Zodiac FloPro is ideal for domestic pools. Backed by Zodiac's extensive support network and the most trusted brand you can be assured of dependable service.



## Ease of Use

To ensure maintenance and everyday use is a breeze the FloPro Series pool pump is equipped with an ergonomic cam lock lid with easy alignment indicators, handle pump brackets and large lint basket. The clear view lint basket lets you see when the basket needs cleaning.

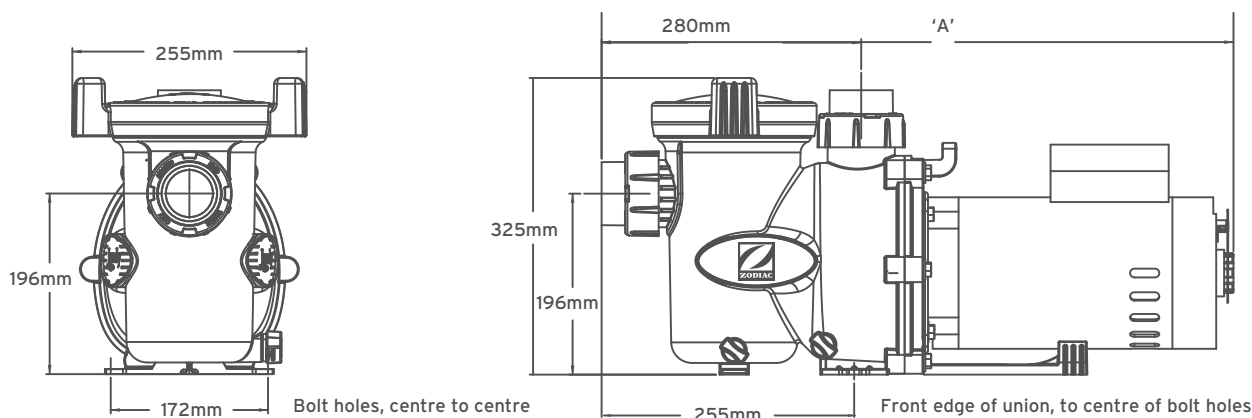
## Energy and Cost Efficient

The FloPro series pool pump is extremely energy efficient providing uncompromising power to filter and recirculate pool water while keeping costs down. Equipped with 50mm barrel unions you can be assured of efficient flow of recirculated water throughout the pool.

## Quiet Technology

The design of the FloPro pump controls the flow dynamics within the pump, resulting in less noise and quiet operation.

## Schematic



## Specifications

Model Number	HP	VOLTAGE	HZ	OVERALL LENGTH	INPUT POWER (WATTS)	FULL LOAD (AMPS)	MAX NOISE @ 1M	ENERGY CONSUMPTION (KWH/Y)	ENERGY STAR RATING
<b>WFHPM 75</b>	0.75	240	50	625MM	945	4.1	56.4 DBA	1186	1
<b>WFHPM 10</b>	1.00	240	50	625MM	1140	4.8	58.1 DBA	1319	1
<b>WFHPM 15</b>	1.50	240	50	625MM	1362	5.9	58.6 DBA	1146	1
<b>WFHPM 20</b>	2.00	240	50	625MM	1987	8.4	64.0 DBA	n/a	n/a

## Outstanding Construction

The FloPro Series pool pump is built to the highest standard right down to the quality and durability of its materials. All components are constructed from corrosion resistant materials to ensure you attain optimal performance and longevity from your pool pump.

## Pump Performance Curve

