



# RELTECH

Where the water flows best...



## Platinum Series



### Fully Variable 3 Speed Pool & Spa Pump

- The largest “Australian Made” pool pump available on the market
- Reduces maintenance with an extra large capacity heavy duty leaf basket
- Can communicate to the Reltech ECOMmander and other automation systems
  - Energy efficient motor saving up to 70% in electricity costs
- Available in a 1.25HP and 1.75HP to suit spa jets and in-floor cleaning
  - Ultra low noise operation with improved filtration



[www.reltech.com.au](http://www.reltech.com.au)

## A BIG POOL PUMP WITH MASSIVE ENERGY SAVINGS.

Reltech's **Platinum Series** pumps are built to withstand all rigorous pool environments. It boasts the largest "Australian Made" pump housing and leaf basket available on the market. This allows pool owners the time to enjoy their pool and spas with less routine maintenance. Designed, manufactured and assembled in Australia with engineering grade thermoplastic polymers which ensure many years of operation in the harsh Australian climate.

### The Platinum Series Ecoflo Variable 3 Speed Pump

allows pool and spa owners the choice of how to run their pumps in the most efficient and effective way to dramatically decrease electricity running costs.

Unlike conventional single speed pumps that work at maximum capacity, the **Ecoflo Platinum Series pump** utilises a permanent magnet brushless fully variable 3 speed DC motor. This revolutionary pump allows the owner to increase and decrease each of the 3 speeds to individually suit their pool and spa.

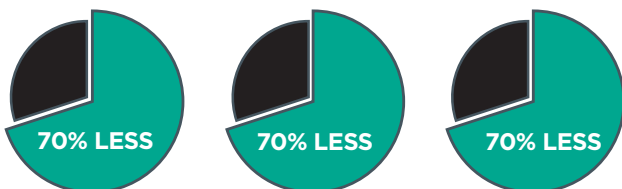
Whether you need to backwash, clean/vacuum or filter your pool or spa water, the **Ecoflo Platinum Series pump** will save you time and money whilst minimising your carbon footprint on the environment. The **Ecoflo Platinum Series V5 1.75HP pump** has the same energy efficiency as the **V3 1.25HP pump**, however, achieves superior levels of performance being a larger capacity motor. This suits spa jet action and most in-floor cleaning setups.

Pool filtration takes up 99% of a pump's usage during the year. However, pool filtration does not require a pump to be running at full capacity. In fact, your pools filtration efficiency improves at lower flow rates. More foreign particles and waste can get trapped in the filter when water flow is slowed and prolonged.

The **Ecoflo Platinum Series pump** operates at extremely low noise levels that allow you to run your pump at night to take advantage of off-peak tariffs without disturbing your neighbours.

Reltech's **Ecoflo V3 & V5 Pro** is covered by a limited 3 year warranty against materials and workmanship. (Please see the **Ecoflo V3 & V5 Pro** operating manual for more details).

## PLATINUM ECOFLO KEY FEATURES



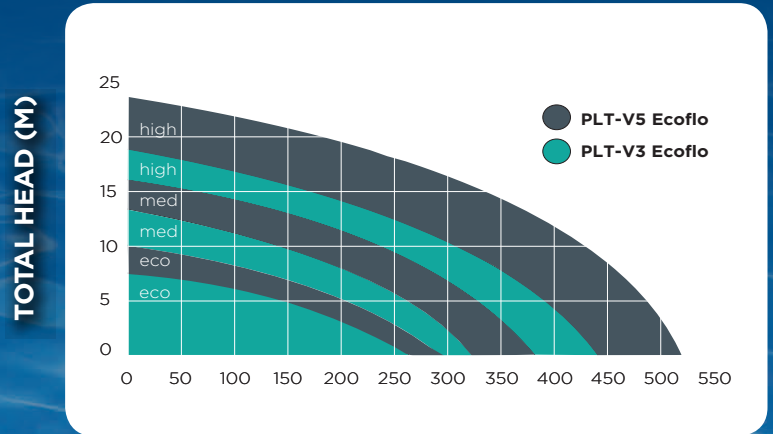
**ELECTRICITY USAGE**

**CARBON EMISSIONS**

**RUNNING COSTS**

**AVAILABLE FROM**

## ECO FLO V3 & V5 PRO PERFORMANCE

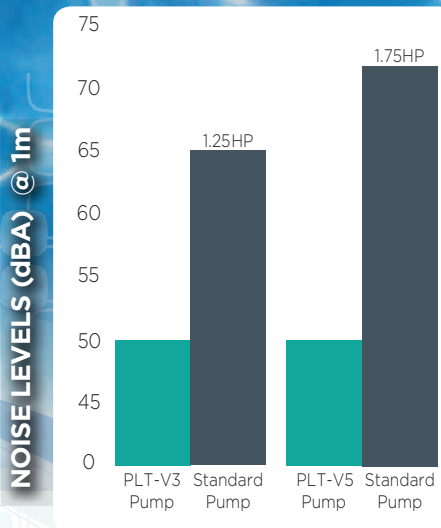


**WATER FLOW (LPM)**

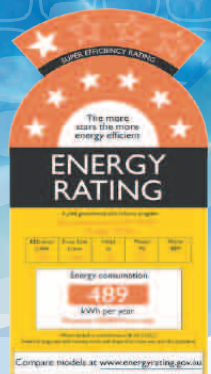
ECO = 1900RPM MED = 2410RPM HIGH = 2850RPM

Factory Settings

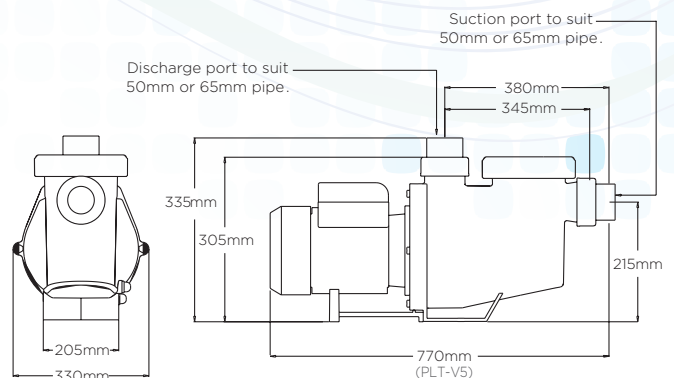
## ULTRA QUIET NOISE LEVELS ECOFLO PUMPS vs STANDARD PUMPS



(Based on Eco mode filtration cycles)



Factory Settings



**RELTECH**  
Where the water flows best...

43-45 Kylta Road West Heidelberg Victoria 3081 Australia

P: + 613 9459 3838 F: + 613 9459 4038

E: office@reltech.com.au W: www.reltech.com.au